



SINGLE BAG

ORDER INFORMATION SHEET

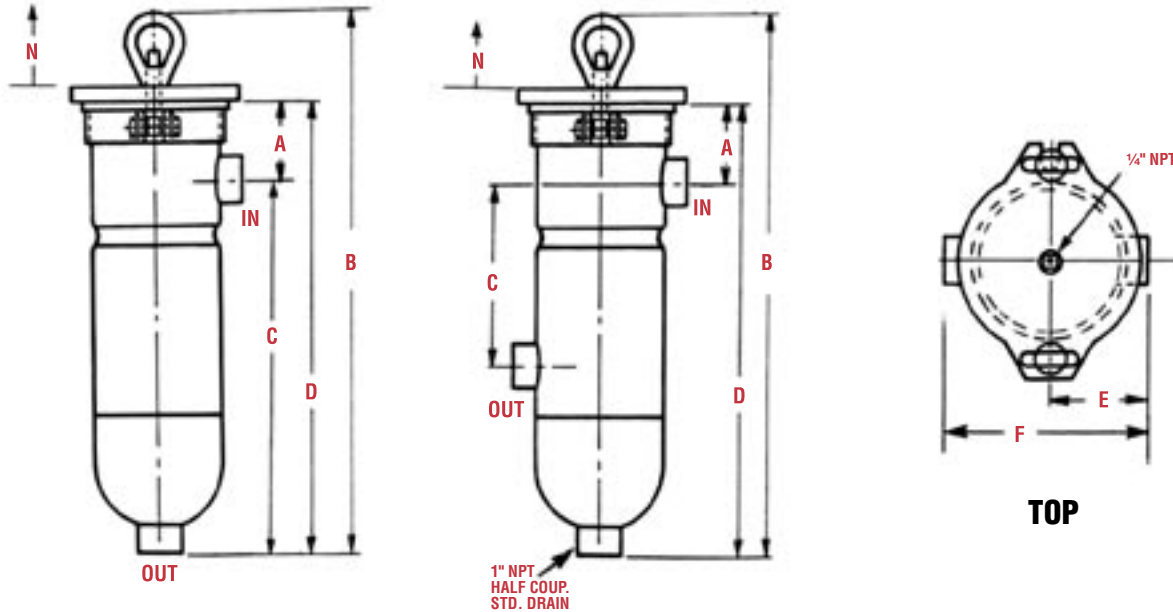
BFN-13

BFN-14

FILTER SPECIALISTS, INC.

100 Anchor Road P.O. Box 735 (46361) Michigan City, Indiana 46360
 219-879-3307 800-348-3205 Fax: 219-877-0632 www.fsifilters.com sales@fsifilters.com

NPT



STYLE 2 NPT FITTINGS
SIDE INLET — BOTTOM OUTLET

STYLE 6 NPT FITTINGS
SIDE INLET — SIDE OUTLET

Note: Designed to ASME Code. UM Stamp available as an option.

BFN-13 (S or P)* Style 2

NPT	A	B	C	D	E	N
3/4"	2 3/8"	18 3/8"	13"	15 3/8"	3 3/16"	9"
1"	2 9/16"	18 9/16"	13"	15 5/16"	3 3/8"	9"
1 1/4"	2 1 1/16"	18 1/2"	12 13/16"	15 1/2"	3 3/8"	9"
1 1/2"	2 1 3/16"	18 3/8"	12 9/16"	15 3/8"	3 1/4"	9"
2"	3 1/8"	18 1/4"	12 1/8"	15 1/4"	3 1/8"	9"

BFN-13 (S or P)* Style 6**

NPT	A	B	C	D	E	F	N
3/4"	2 3/8"	18 1/2"	5 3/8"	15 1/2"	3 3/16"	6 3/8"	9"
1"	2 1/2"	18 1/2"	5 3/8"	15 1/2"	3 3/8"	6 3/4"	9"
1 1/4"	2 5/8"	18 1/2"	5 3/8"	15 1/2"	3 3/8"	6 3/4"	9"
1 1/2"	2 1 3/16"	18 1/2"	5 3/8"	15 1/2"	3 1/4"	6 1/2"	9"
2"	3 1/8"	18 1/2"	5 3/8"	15 1/2"	3 1/8"	6 1/4"	9"

BFN-14 (S or P)* Style 2

NPT	A	B	C	D	E	N
3/4"	2 3/8"	23 5/8"	18 1/4"	20 5/8"	3 3/16"	15"
1"	2 9/16"	23 1 1/16"	18 1/4"	20 1 1/16"	3 3/8"	15"
1 1/4"	2 1 1/16"	23 3/4"	18 1 1/16"	20 3/4"	3 3/8"	15"
1 1/2"	2 1 3/16"	23 5/8"	17 13/16"	20 5/8"	3 1/4"	15"
2"	3 1/8"	23 1/2"	17 3/8"	20 1/2"	3 1/8"	15"

BFN-14 (S or P)* Style 6**

NPT	A	B	C	D	E	F	N
3/4"	2 3/8"	23 3/4"	10 5/8"	20 3/4"	3 3/16"	6 3/8"	15"
1"	2 1/2"	23 3/4"	10 5/8"	20 3/4"	3 3/8"	6 3/4"	15"
1 1/4"	2 5/8"	23 3/4"	10 5/8"	20 3/4"	3 3/8"	6 3/4"	15"
1 1/2"	2 7/8"	23 3/4"	10 5/8"	20 3/4"	3 1/4"	6 1/2"	15"
2"	3 1/8"	23 3/4"	10 5/8"	20 3/4"	3 1/8"	6 1/4"	15"

*S = Snap Ring
P = Polyloc®

**Dimension C can be varied on Style 6.

ORDER INFORMATION

Check appropriate boxes

Design Pressure: 100 PSIG 150 PSIG Other

Design Temperature (F°): Max _____ Min _____

Construction Material: Carbon Steel 304 Stainless Steel 316 Stainless Steel Other _____

Basket Materials: 304 Stainless Steel (Standard) 316 Stainless Steel Other _____

Gasket Material: BUNA N (Standard) Viton Neoprene EPDM Teflon Encapsulated Other _____

Lifting Mechanism: Hinge is standard



SINGLE BAG

ORDER INFORMATION SHEET

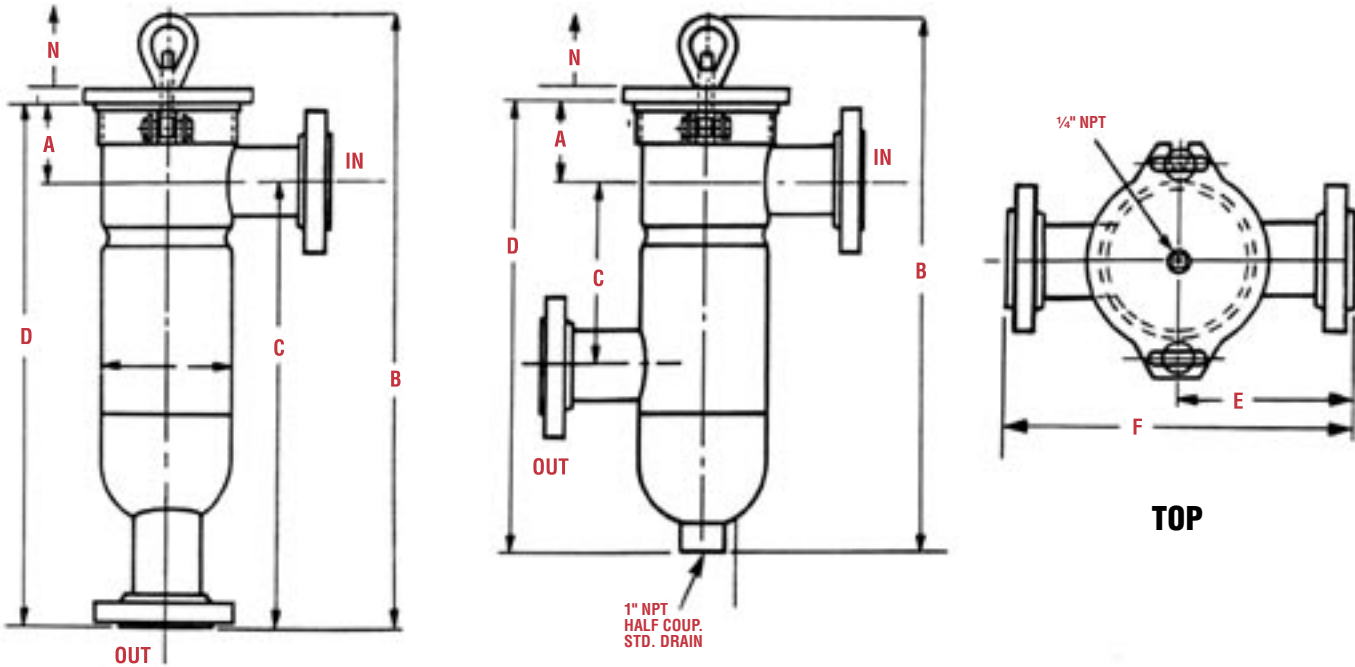
BFN-13

BFN-14

FILTER SPECIALISTS, INC.

100 Anchor Road P.O. Box 735 (46361) Michigan City, Indiana 46360
 219-879-3307 800-348-3205 Fax: 219-877-0632 www.fsifilters.com sales@fsifilters.com

FLANGE



STYLE 2 FLANGE FITTINGS
SIDE INLET — BOTTOM OUTLET

STYLE 6 FLANGE FITTINGS
SIDE INLET — SIDE OUTLET

Note: Designed to ASME Code. UM Stamp available as an option.

BFN-13 (S or P)* Style 2

FLG	A	B	C	D	E	N
3/4"	2 3/8"	20 3/4"	15 3/8"	17 3/4"	5 3/4"	9"
1"	2 1/2"	20 3/4"	15 1/4"	17 3/4"	5 3/4"	9"
1 1/4"	2 11/16"	20 3/4"	15 1/16"	17 3/4"	5 3/4"	9"
1 1/2"	2 7/8"	20 3/4"	14 7/8"	17 3/4"	5 3/4"	9"
2"	3 1/8"	20 3/4"	14 9/8"	17 3/4"	5 3/4"	9"

BFN-13 (S or P)* Style 6**

FLG	A	B	C	D	E	F	N
3/4"	2 3/8"	18 1/2"	5 1/2"	15 1/2"	5 3/4"	11 1/2"	9"
1"	2 1/2"	18 1/2"	5 1/2"	15 1/2"	5 3/4"	11 1/2"	9"
1 1/4"	2 11/16"	18 1/2"	5 1/2"	15 1/2"	5 3/4"	11 1/2"	9"
1 1/2"	2 7/8"	18 1/2"	5 1/2"	15 1/2"	5 3/4"	11 1/2"	9"
2"	3 1/8"	18 1/2"	5 1/2"	15 1/2"	5 3/4"	11 1/2"	9"

BFN-14 (S or P)* Style 2

FLG	A	B	C	D	E	N
3/4"	2 3/8"	26"	20 5/8"	23 1/16"	5 3/4"	15"
1"	2 1/2"	26"	20 1/2"	23 1/16"	5 3/4"	15"
1 1/4"	2 11/16"	26"	20 9/16"	23 1/16"	5 3/4"	15"
1 1/2"	2 7/8"	26"	20 1/8"	23 1/16"	5 3/4"	15"
2"	3 1/8"	26"	19 7/8"	23 1/16"	5 3/4"	15"

BFN-14 (S or P)* Style 6**

FLG	A	B	C	D	E	F	N
3/4"	2 3/8"	23 3/4"	10 1/2"	20 3/4"	5 3/4"	11 1/2"	15"
1"	2 1/2"	23 3/4"	10 1/2"	20 3/4"	5 3/4"	11 1/2"	15"
1 1/4"	2 11/16"	23 3/4"	10 1/2"	20 3/4"	5 3/4"	11 1/2"	15"
1 1/2"	2 7/8"	23 3/4"	10 1/2"	20 3/4"	5 3/4"	11 1/2"	15"
2"	3 1/8"	23 3/4"	10 1/2"	20 3/4"	5 3/4"	11 1/2"	15"

*S = Snap Ring
P = Polyloc®

**Dimension C can be varied on Style 6.

ORDER INFORMATION Check appropriate boxes

Design Pressure: 100 PSIG 150 PSIG Other _____

Design Temperature (°F): Max _____ Min _____

Construction Material: Carbon Steel 304 Stainless Steel 316 Stainless Steel Other _____

Basket Materials: 304 Stainless Steel (Standard) 316 Stainless Steel Other _____

Gasket Material: BUNA N (Standard) Viton Neoprene EPDM Teflon Encapsulated Other _____

Lifting Mechanism: Hinge is standard